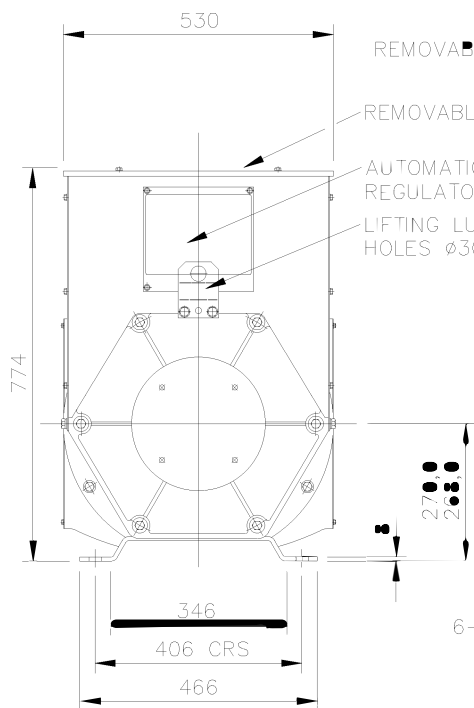
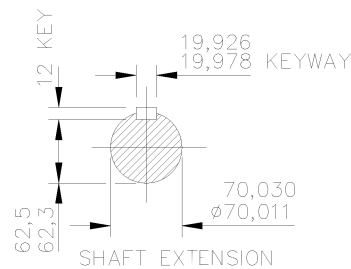


REL NO	REV	DETAILS	DWN	CDK	APVD	DATE
EC0-143540	E	ADDED UCG IN TITLE	SS	SPA	SPA	12MAY14

CORE	C OF G	NETT WT.kg
C	294	394
D	304	418
E	319	481
F	344	519
G	364	571
H	384	617

DIMENSIONS			
FRAME	A	B	C
274C/D	905	842	215
274E/F	1020	957	330
274G	1070	1007	380
274H	1110	1047	420

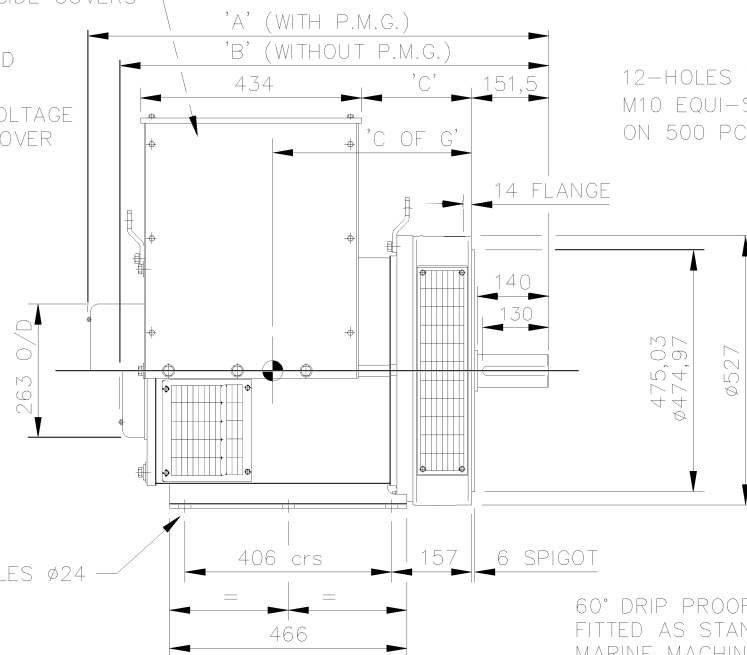


REMOVABLE SIDE COVERS

REMOVABLE LID

AUTOMATIC VOLTAGE REGULATOR COVER

LIFTING LUG HOLES $\phi 30$



'A' (WITH P.M.G.)

'B' (WITHOUT P.M.G.)

434

'C'

151,5

'C OF G'

14 FLANGE

140

130

475,03

$\phi 474,97$

$\phi 527$

6-HOLES $\phi 24$

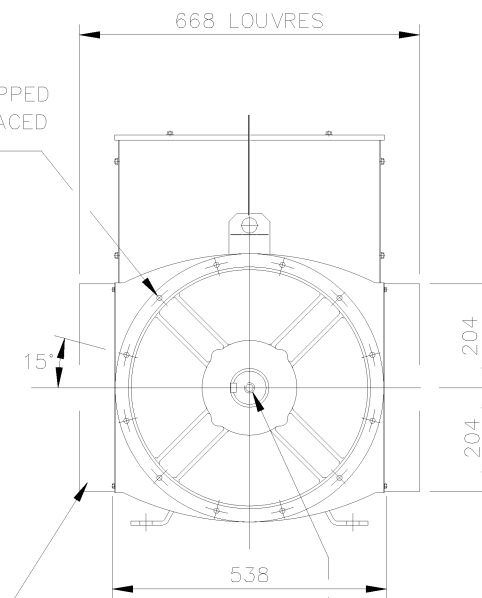
406 CRS

157

6 SPIGOT

466

60° DRIP PROOF LOUVRES :
FITTED AS STANDARD ON
MARINE MACHINES.
FITTED ON OTHER MACHINES IF
SPECIFIED ON ORDER



12-HOLES TAPPED
M10 EQUI-SPACED
ON 500 PCD

668 LOUVRES

15°

1-HOLE TAPPED
M20 x 2,5P x 40 DEEP



DRAWING, GENERAL ASSEMBLY
UC274/UCG274 C-H 2-BRG
WITHOUT ADAPTOR

UNLESS SPECIFIED ALL DIMENSIONS ARE IN MILLIMETERS		SITE CODE	STA	DWG SIZE A2	33-2005	SHEET 1	REV E
DO NOT SCALE PRINT	DRAWN JES						
	CHECKED PJW						
	APPROVED DPC						
CONFIDENTIAL	DATE 29APR91						
PROPERTY OF CUMMINS GENERATOR TECHNOLOGIES	SCALE 1:10	FIRST USED ON	---				